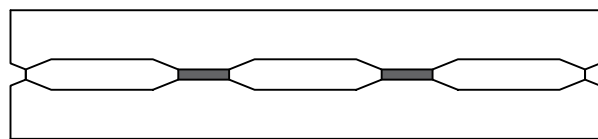
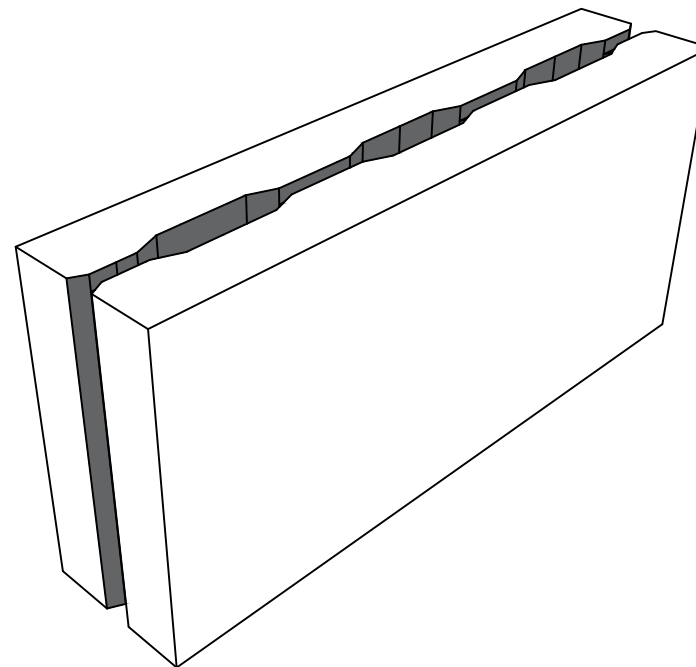


180



85



BATAKO 85 x 180 x 390

SIZE : A4



TECHNICAL DRAWING

DESIGN : JPP ENGINEERING

UPDATE : 15 JULY 2020

SCALE 1 : 5

UNIT : MM